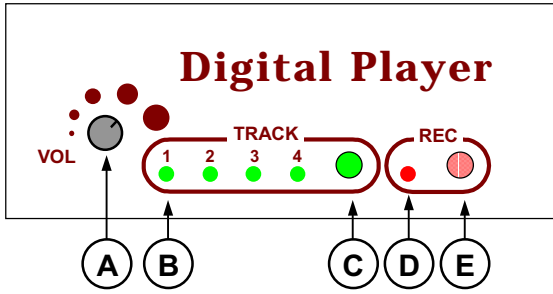


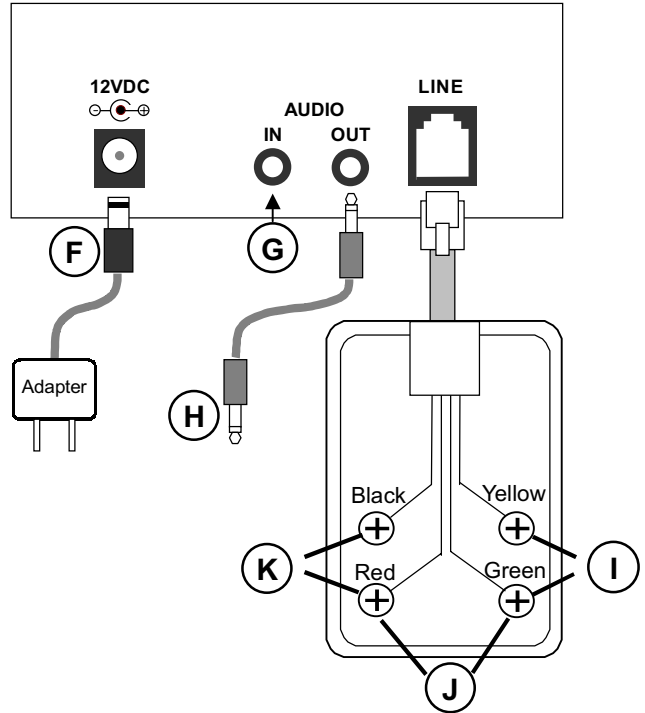


Front Panel Controls/Indicators



- (A)** Output Volume Control
- (B)** Indicators of TRACK 1,2,3,4
 - a. Display the Track in PLAYING or RECORDING
 - b. Display the Item of PROGRAMMING
 - c. Display the Function of PROGRAMMING
- (C)** TRACK ● Button
- (D)** REC Indicator
 - Off: In PLAYING
 - On: In RECORDING or PROGRAMMING
 - Blinking: In WAITING MODE
- (E)** REC ● Button

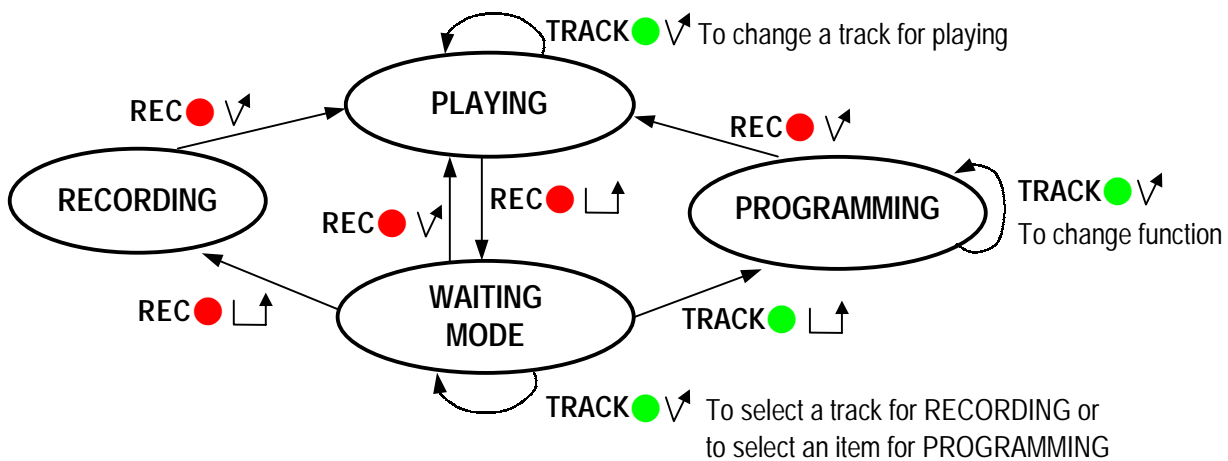
Rear Plate Layout



- (F)** Power Adapter: 12VDC / 200mA
- (G)** AUDIO IN: Input
- (H)** AUDIO OUT: Output
- (I)** 8 ohm: Output
- (J)** Telephone Interface: In/Output
- (K)** External Trigger Switch

Operational Flow Chart

⏏ Means to press button until all of indicators are blinking.
 ⏏ Means to press button quickly.



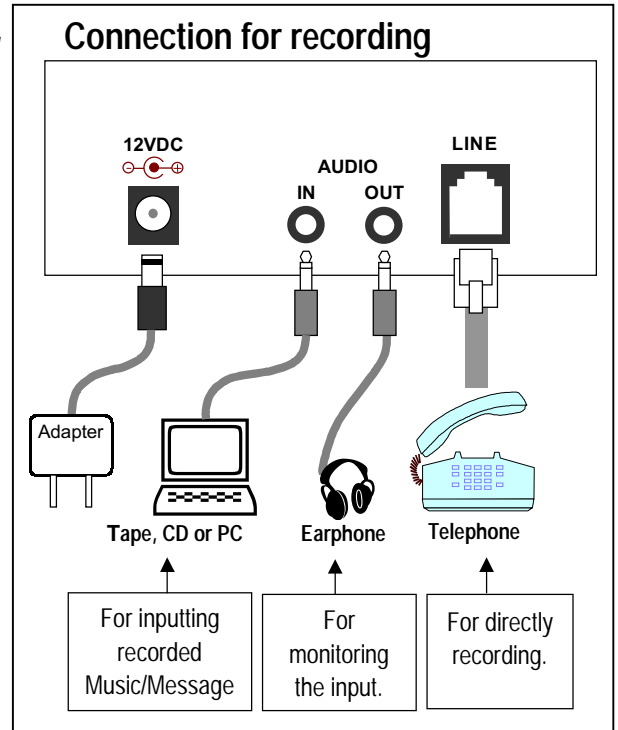


- 4 tracks of DP540 are available for recording up to 4 message/music. Total recording time is 540 seconds.

Recording

Input the recorded Message/Music from Tape/CD player or PC to DP540 or use direct recording by telephone handset, the procedures are as follows:

- Step 1.** As shown by Figure, connect the earphone, tape/CD player, PC or phone set to DP540. Make sure REC indicator is under off status. Otherwise, press **REC** ● to turn off the REC indicator.
- Step 2.** Press **REC** ● until all of the indicators are blinking. (REC Indicator blinking means waiting for further selection.)
- Step 3.** Press **TRACK** ● to select a track for recording. (Blinking track indicator means what you have selected.)
- Step 4.** Press **REC** ● until all of the indicators are blinking. (Track indicator will turn to stay on solidly.)
- Step 5.** Play the Tape/CD or PC or/and speak into the handset. (When REC indicator turned to stay on solidly, it means recording is started.)
- Step 6.** The recording will be auto-terminated while 1 second of silence is detected. Or press **REC** ● to complete the recording and return to Playing. (REC indicator turned off means under playing.)

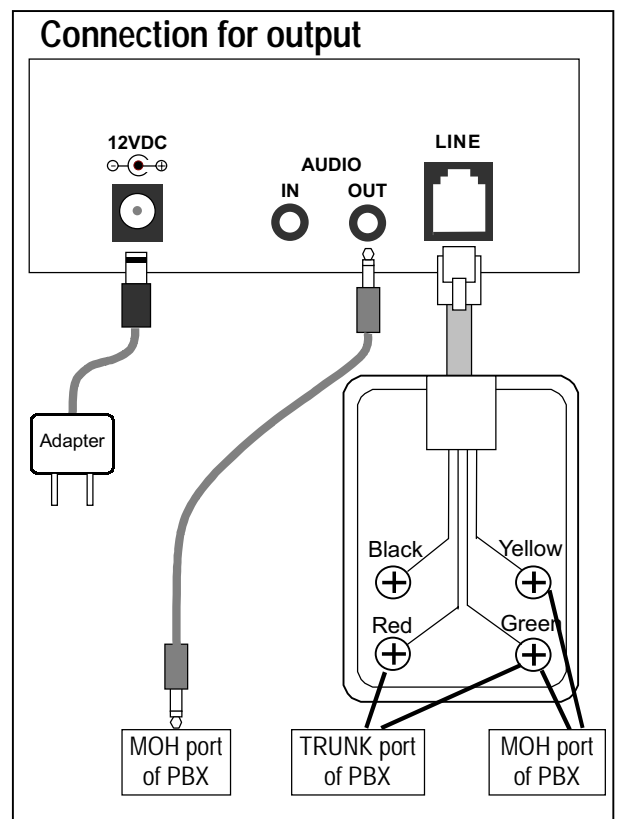


- If you want to delete the recorded Message/Music, you must press **REC** ● immediately after step 4.

Connect the DP540 output to PBX

1. Connect power source to DP540 via adapter (included).
2. Connect the DP540 "AUDIO OUT" Jack with the PBX MOH port. Dial into PBX from CO line, let the called party hold the line and then adjust the volume to proper position. If the volume is not loud enough while in the maximum position, please connect the "8 Ohm" output of DP540 with the PBX MOH port. If the PBX uses CO line TRUNK port as MOH input, please connect the TRUNK port to DP540 "Telephone Interface".

Don't place the unit close to frequency generator (Power supply, radio broadcast, ...) in 1 meter distance.





PROGRAMMING -- Item 1

- Step 1. Make sure REC indicator is under off status. Otherwise, press **REC** ● to turn off the REC indicator.
- Step 2. Press **REC** ● until all of the indicators are blinking. (REC Indicator will be blinking)
- Step 3. Press **TRACK** ● to select the "Track 1" Indicator. ("Track 1" Indicator will be blinking)
- Step 4. Press **TRACK** ● until all of the indicators are blinking. (REC indicator will be turned to stay on solidly)
- Step 5. Press **TRACK** ● to change the status of "Track 1,2,3" Indicators corresponding to the needed function.

Indicators				Function of Playing
1	2	3	4	
○	○	○	○	Single track with continuous playing. (Default, for MOH)
●	○	○	○	Single track with 1 time playing by trigger.
○	●	○	○	Single track with 2 times playing by trigger.
●	●	○	○	Single track with 3 times playing by trigger.
○	○	●	○	Multi-tracks in sequence with continuous playing. (For MOH)
●	○	●	○	Multi-tracks in sequence with 1 time playing by trigger.
○	●	●	○	Multi-tracks in sequence with 2 times playing by trigger.
●	●	●	○	Multi-tracks in sequence with 3 times playing by trigger.

Indicators: ● = ON, ○ = OFF

- 3 ways to trigger the playing:
 - a. By turning on the power.
 - b. By pressing **TRACK** ●
 - c. By External Trigger Switch.
- Pressing **TRACK** ● or External Trigger Switch in Single Track Playing will change to next track.

- Step 6. Press **REC** ● to complete the programming and return to Playing. (REC indicator will be turned off.)

PROGRAMMING -- Item 2

- Step 1. Make sure REC indicator is under off status. Otherwise, press **REC** ● to turn off the REC indicator.
- Step 2. Press **REC** ● until all of the indicators are blinking. (REC Indicator will be blinking)
- Step 3. Press **TRACK** ● to select the "Track 2" Indicator. ("Track 2" Indicator will be blinking)
- Step 4. Press **TRACK** ● until all of the indicators are blinking. (REC indicator will be turned to stay on solidly)
- Step 5. Press **TRACK** ● to change the status of "Track 1,2,3" Indicators corresponding to the needed function.

Indicators				Recording Activated by Audio	Recording Terminated by Silence
1	2	3	4		
○	○	○	○	Yes (Default)	Yes (Default)
●	○	○	○	No	Yes
○	●	○	○	Yes	No
●	●	○	○	No	No
○	○	●	○	Recording Prohibited	

- If the "Recording Activated by Audio" function is disabled, recording will begin immediately while you switch to Recording.
- If the "Recording Terminated by Silence" function is disabled, you must press the **REC** ● to complete the recording.

- Step 6. Press **REC** ● to complete the programming and return to Playing. (REC indicator will be turned off)

- Anytime when you press **REC** ● and **TRACK** ● simultaneously until all of the indicators are blinking, the entire functions of PROGRAMMING items will be reset to default. (Except for the status during the RECORDING)



Application

Music / Message On-Hold

To inform callers about goods and services, reinforce the image of company, convey the desired information to callers as you want. Turn passive waiting time to active promotion period.

Broadcast over public Place

To spread the message or music in public spaces such as Shopping mall, Museum, Airport, Corporate lobby, Casino, Restaurant, Movie theater, Gas station and so on. For connection, just set DP540 to trigger playing mode, and connect "AUDIO OUT" to the "AUX INPUT" of broadcasting system. Plug adapter of DP540 to a timer for the scheduled playing.

Play Advertising Messages In Store Promotion

DP540 is useful and ideal for Department store, Convenience store, Chain store, Retailer, and Grocery store in store advertising or promotion. For connection, just set DP540 to trigger playing mode, and connect "AUDIO OUT" to the "AUX INPUT" of broadcasting system. Advertising message will play when you push the External Trigger Switch anytime.

Display In Exhibition

To perform the continuous and repeated product introduction in Trade show, Theme park, Just set DP540 to trigger playing mode, and connect "8 ohm output" to a speaker. Product introducing message will play when the External Trigger Switch is pushed anytime.