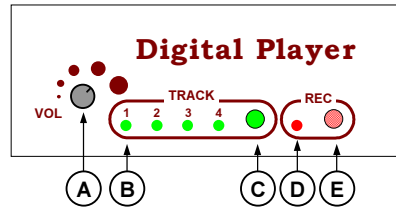




■ Front Panel / Rear Panel Description

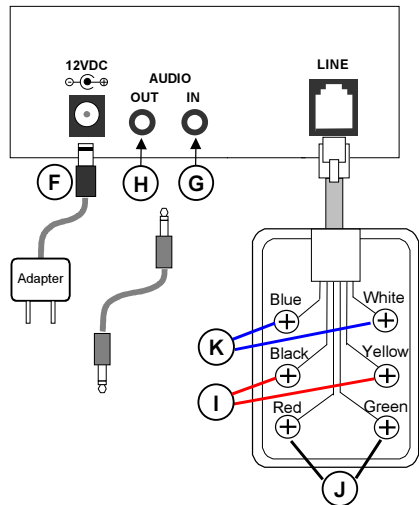
Front Panel



- A. Output Volume Control Knob
- B. Track Indicator – Green Lights
- C. Track Selector – Green Button
- D. Mode Indicator – Red Light
- E. Mode Selector – Red Button
- F. Power Transformer (12VDC 200mA)
- G. AUDIO-IN

This audio input port is used for connecting to the earphone jack of a PC (or CD player), to input music/messages for recording MOH.

Rear Panel

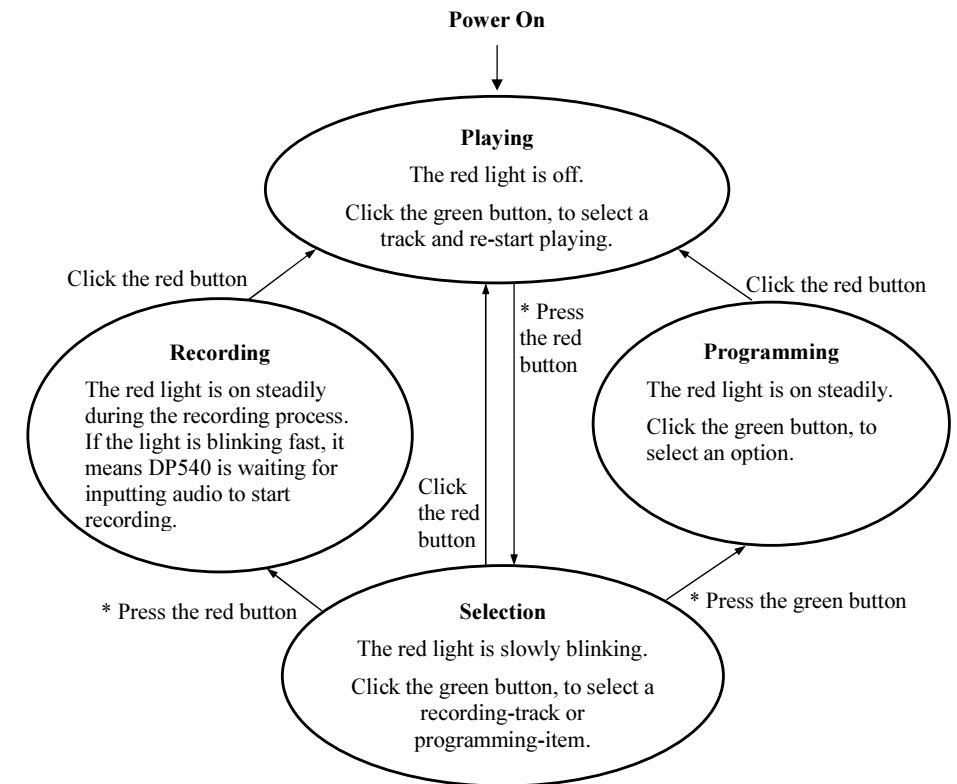


- H. AUDIO-OUT
This audio output port without transformer isolation will be used if the MOH input port of the PBX is a standard MOH input port of impedance more than 150 ohms.
- I. EXT-Port Interface
This output port with transformer isolation will be used if the MOH input port of the PBX is an analog extension port.
- J. TRUNK-Port Interface
This Input Output port with electric current supply will be used if the MOH input port of the PBX is a trunk port.
- K. 8-ohm Interface
This output port without transformer isolation will be used if the MOH input port of the PBX is a standard MOH input port of impedance between 8 ohms and 150 ohms.



■ Feature Description

DP540E3 system contains four MOH (music on-hold) tracks; each track can be used to record a music/message. Total recording time is 18 minutes. The DP540E3 provides the following alternate operation modes:



* Note: "Press the red (or green) button" means "depress it until all of the five lights begin blinking."



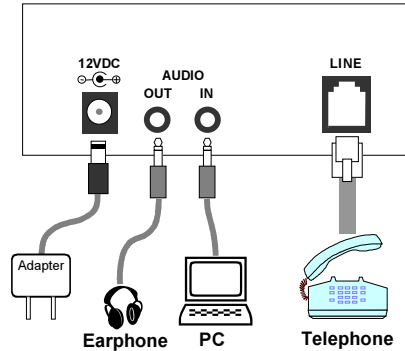
■ Procedure of Recording Music/Message

In addition to using the downloading feature, to record a music/message into a track, you can use a PC to transmit the music/message to the DP540E3, and/or a standard telephone to speak to. The earphone included in the package is used to monitor the sound of recording.

Use the following procedure to record music/message.

1. If the red light is on, press the red button to turn it off.
2. Press the red button until all the five lights begin blinking.
3. Click the green button repeatedly until the green light of the desired track blinks.
4. Press the red button until all of the five lights begin blinking. (If you click the red button again immediately on releasing it, you will only empty the track.)
5. Let the PC start outputting the music/message, and speak to the handset as needed.
6. You need to click the red button to finish the recording if Ended-by-Silence feature is not used.

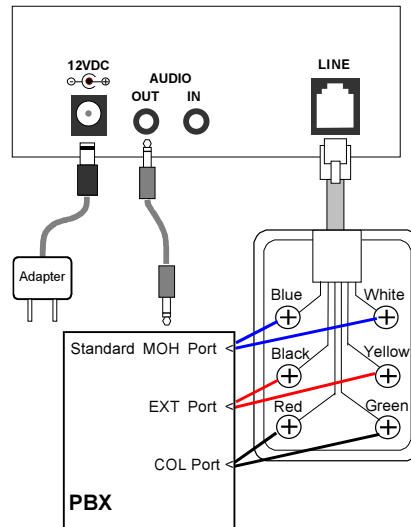
Connection for Recording



■ Connection for PBX MOH

1. Connect the MOH input port of the PBX to an audio output port suitable to it.
2. Dial into the PBX from an external line, let the called party hold the line and then adjust the volume to proper position.

Connection for PBX MOH



DO NOT install the unit in a place subject to high-frequency equipment (switching power system, radio broadcast system, etc.) within one-meter distance.

DO NOT connect the AUDIO-OUT jack, 8-ohm Interface or TRUNK-Port Interface to any telephone line having voltages.



■ Procedure of Changing the Playing Mode

1. If the red light is on, press the red button to turn it off.
2. Press the red button until all the five lights begin blinking.
3. Click the green button repeatedly until the green light of Track 1 blinks.
4. Press the green button until all the five lights begin blinking.
5. Click the green button repeatedly until the display of green lights corresponds to the desired option.

Green lights				● = On		
1	2	3	4	Playing Mode Options		
				0: The selected track is played back repeatedly. (Default)	When the DP540E3 is in the playing mode, clicking the green button is to start playing the next track.	
●				1: The selected track is played back one time.		
	●			2: The selected track is played back twice.		
●	●			3: The selected track is played back three times.	When the DP540E3 is in the playing mode, clicking the green button is to restart playing each track.	
		●		4: Each track is played back repeatedly in the track sequence.		
●		●		5: Each track is played back in the track sequence of one cycle.		
	●	●		6: Each track is played back in the track sequence of two cycles.		
●	●	●		7: Each track is played back in the track sequence of three cycles.		

6. Click the red button when finish.

■ Procedure of Changing the Recording Mode

1. If the red light is on, press the red button to turn it off.
2. Press the red button until all of the five lights begin blinking.
3. Click the green button repeatedly until the green light of Track 2 blinks.
4. Press the green button until all of the five lights begin blinking.
5. Click the green button repeatedly until the display of green lights corresponds to the desired option.

Green lights				Started by Audio	Ended by Silence
1	2	3	4		
				Yes (default)	Yes (default)
●				No	Yes
	●			Yes	No
●	●			No	No
		●		Recording Prohibited	

Started-by-Audio: "Yes" means that the DP540E3 does not start recording until an audio signal is detected after it is switched to the Recording mode. "No" means that the DP540E3 starts recording in a second when it is switched to the Recording mode.

Ended-by-Silence: "Yes" means that you may end recording either by 1-second silence or clicking the red button. "No" means that the only way to end recording is to click the red button.

6. Click the red button when finish.