

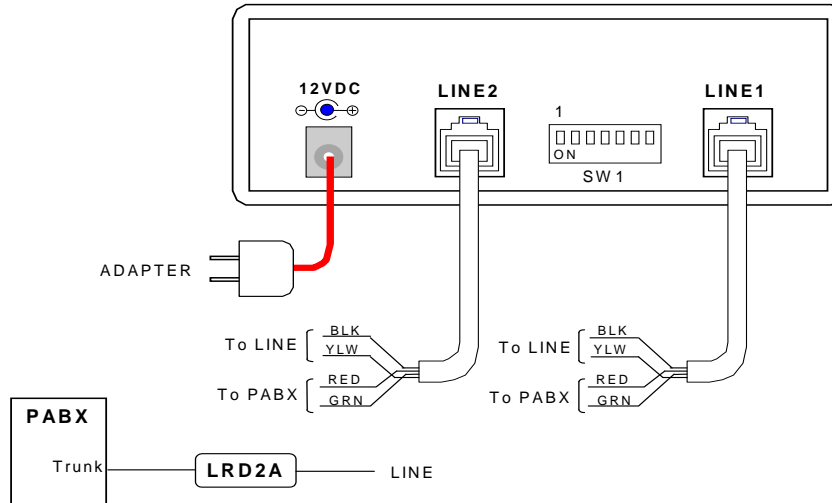


LINE RELEASE DRIVER

Model: LRD2A

INSTALLATION

System Connection Layout



Installation steps:

- To be sure that plug in the POWER ADAPTER before connected the CO line. The indicator light of the front panel will go off after several twinkling; that means the electricity is under normal conditions.
You may also able to use several LRD-2A in one POWER ADAPTER: (connecting from DC OUT to DC IN).
- Select the Disconnect Pulse Length or Reversal in Loop Current from the "SW1" on the rear panel to accord with your PABX.
- Connect the CO line to test the function. (You may observe the action status from the indicator of the front panel; the indicator will be blinking when the frequency range is 380-620Hz.)

Switch Selection Guide				
	Reversal in Loop Current	Disconnect Pulse Length		
		0.5 sec.	1 sec.	1.5 sec.
SW1-1	OFF	ON	OFF	ON
SW1-2	OFF	OFF	ON	ON
60 minutes limited on the phone				
SW1-3	ON: yes	OFF: no		
Delay detecting for second dial tone				
SW1-4	ON: delay 5 sec.	OFF: w/o delay		
Range of cyclic regular tone				
SW1-5	ON: 0.22 ~ 0.8 sec. On/Off	OFF: 0.12 ~ 0.8 sec. On/Off		

Function testing:

- Place a call incoming from the outside, answer the call then keep silence on the phone, and make sure the indicator is off light.
Please disconnect the CO line; then re-plug in the POWER ADAPTER only if the indicator is blinked while silent.
- Disconnect this call from outside party. The indicator will be light when LRD-2A detects the tone from CO line. After sampling time, the indicator will change to fast blinks and send a Disconnect pulse or Reversal in Loop Current to your PABX at the same time.

Disconnect signal condition:

Sensitivity: >-20 dbm (CO line), >-10 dbm (PABX side)

- 380 – 620 Hz, range 0.12 ~ 0.8sec. On/Off regular tone.
- 380 – 620 Hz steady continuous tones (exceed 4 sec.)

Notice:

For detecting Disconnect Signal effectively, please drop down the Music-On-Hold volume of PABX as much as possible.